

CIDEON

engineering digitized.

Cideon – engineering digitized.

Cideon Toolbox for Autodesk Vault

Vault Professional is Autodesk's most comprehensive PDM product, offering a wide range of features for unified and transparent data management, including direct CAD integration for mechanical, electrical, and fluid design data.

Small Tools, Big Impact: Make Your Design Processes More Productive!

The Cideon Toolbox for Autodesk Vault is the ultimate collection of valuable add-ons that extend the standard functionality of Vault. These everyday helpers provide a noticeable boost to your daily work by increasing comfort, improving efficiency and ensuring quality.

AUTODESK
Platinum Partner



Your Benefits:

- Immediate availability
- Cost certainty
- Flexible configuration

The Cideon Vault Add-Ons:

Conversion Jobs

PDF Stamping/
Watermarks

Collections

Attribute Inheritance

Display Bill of Materials

Template Folders

Tools for better
File Handling



CIDEON

PROCESS CONSULTING

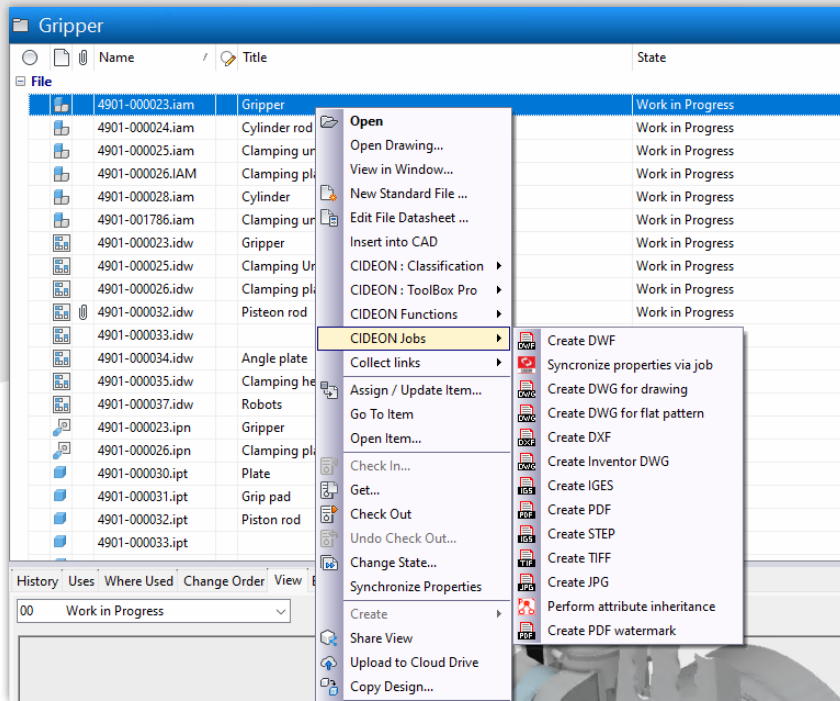
ENGINEERING SOFTWARE

IMPLEMENTATION

GLOBAL SUPPORT

FRIEDHELM LOH GROUP

Conversion Jobs



Context-sensitive menu for format conversion in Vault

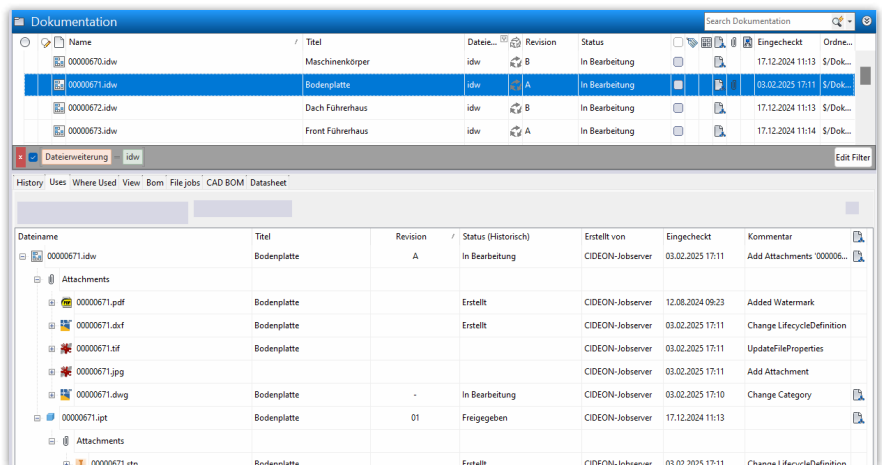
Create (Different) Target Formats From Your CAD Files

The Cideon Toolbox offers several advantages over the standard functionality of Vault when creating PDF files, allowing you to flexibly meet your individual requirements.

In addition, depending on the source format, you can generate other formats such as DXF, IGES, STEP, TIFF, JPG, or specialized redlining DWFs using the included tools.

Rename files during export and decide which, if any, properties of the drawing or model are transferred to the export format. Configure export file locations to suit your needs; for example, you can collect all of a project's PDFs in a project-specific subfolder in the Vault and/or in an externally configurable location.

You can always see whether your export formats are up to date or need to be re-created. Automatic integration with your release process initiates the conversion or a defined sequence of individual jobs. Ad hoc conversions can also be easily performed by the user via the context-sensitive menu of an original file.

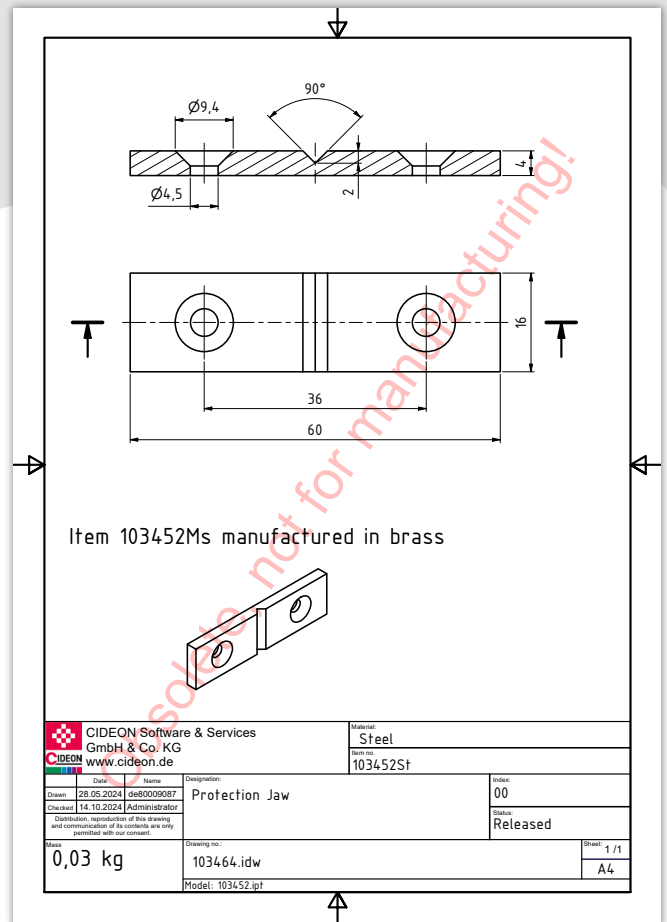
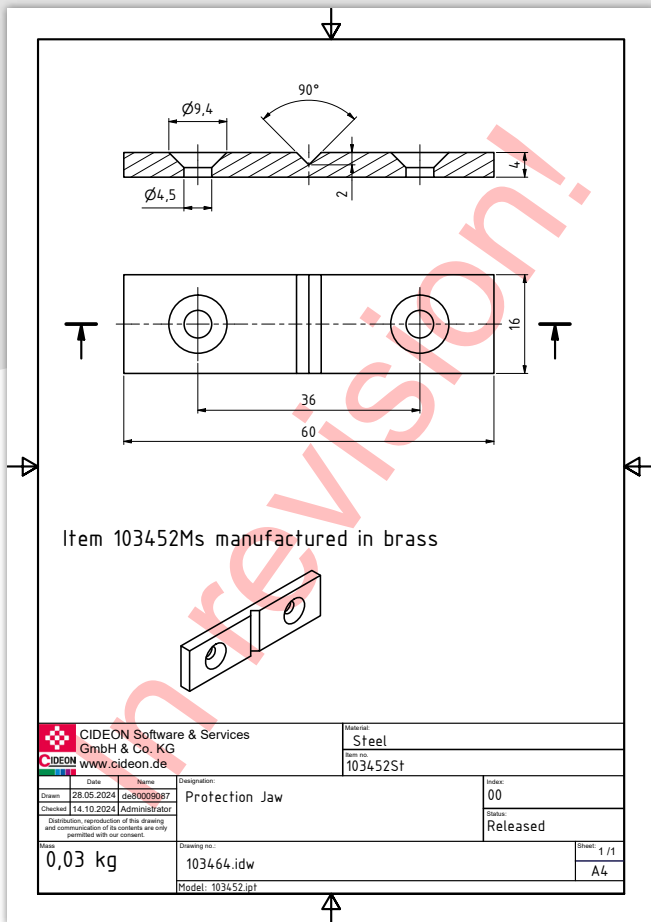


Export formats in a drawing's where-used list

[Back to Overview](#)



PDF Stamping/Watermarks



Examples of watermarking on a CAD drawing

Clearly Mark Documents

When changes are made to previously approved drawings, you want to ensure that users of the associated PDFs can clearly see that the underlying drawing is being revised. Our Watermark feature allows you to easily apply text to the PDF file.

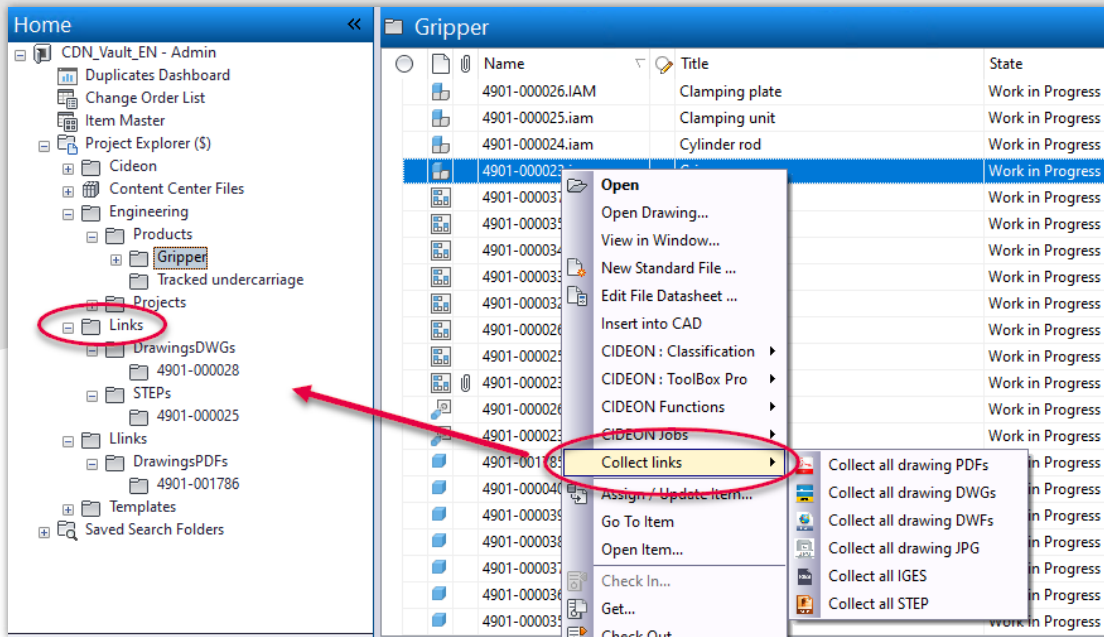
This enhancement is fully integrated into your release process, with stamping applied based on status and at any configurable location.

Of course, PDF stamping can also be performed directly by the user via the menu function.

[Back to Overview](#)



Collections



Function menu on an assembly for the collection of files

Find Data Quickly

With the click of a button, you can collect all relevant file links for an assembly as links information in a flat list. This allows you to easily filter and search - something that is difficult to do in the tree structures of a Where-used record in Vault's standard functionality.

You have control over which formats are made available to the user and where these links are stored. All formats that can be pre-generated by a job are possible. For exchange formats, only files that already exist and were attached to the original document are collected.

Examples of useful collections include:

- All drawings for an assembly
- All PDFs of drawings for an assembly
- All DXFs for the sheet metal parts of an assembly
- All parts of an assembly in a flat structure
- And much more

Individual documents that are not referenced in any other file ("orphaned documents") can also be collected using the extension.

[Back to Overview](#)



Display Bill of Materials

Name (fix)	Title	Thumb...	Anzahl (fix)	Stücklistenstruktur (fix)	Material	Bauteilnummer (fix)
4901-000023.iam	Gripper		0	Normal		100043
4901-000024.iam	Cylinder rod		2	Normal		100050
4901-000032.ipt	Piston rod		1	Normal	ALUMINUM - 6061	100058
4901-000025.iam	Clamping unit		2	Normal		100049
4901-000030.ipt	Plate		1	Normal	STEEL - MILD	100057
4901-000031.ipt	Grip pad		1	Normal	STEEL - HIGH	100056
ISO 4762 - M6 x 40ISO.ipt			2	Purchased		ISO 4762 - M6 x 40
ISO 7089 - 6 - 140 HV(1).ipt			2	Purchased		ISO 7089 - 6
4901-000026.IAM	Clamping plate		1	Normal		100048
4901-000040.ipt	Sheet metal		1	Normal	X155CrVMo12	100069
ISO 4762 - M6 x 16ISO.ipt			2	Purchased		ISO 4762 - M6 x 16
ISO 7089 - 6 - 140 HV(1).ipt			2	Purchased		ISO 7089 - 6

Structured representation of an Inventor assembly bill of material

Displaying the Bill of Materials in Vault

By default, Vault can only display the Inventor Bill of Materials using the item functionality available in Vault Professional if it has been manually derived from the assembly.

Do you want to continue managing item data in the ERP system while focusing on design activities in Vault? Creating a parallel database for master data is often undesirable and adds significant engineering overhead.

We have the solution! With this extension, we provide you with the CAD BOM directly as additional information

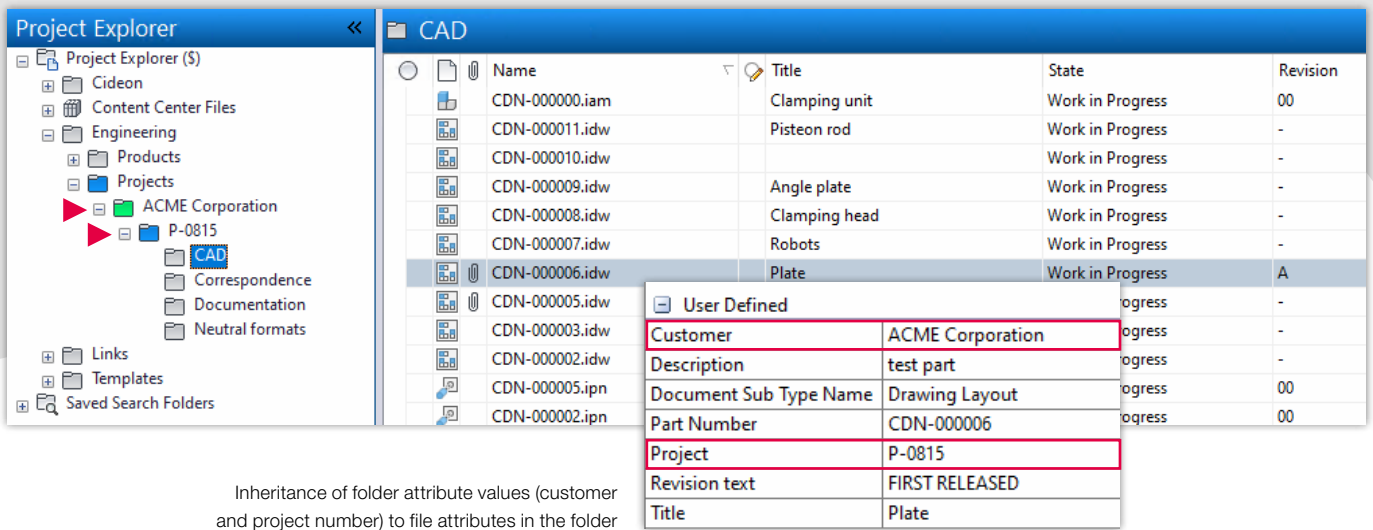
for the assembly, without the need to create item data. In the Vault's Bill of Materials tab, we present the exact Bill of Materials that the designer created in his assembly - complete with all the necessary information such as quantity, item number, and custom properties. This means that the Bill of Materials is updated when the assembly is checked into the Vault, so it is always up to date.

The big advantage is that it can be used by other Vault users who do not have a CAD workstation. In addition, you can customize the display and quickly export to the popular CSV format.

[Back to Overview](#)



Attribute Inheritance



Inheritance of folder attribute values (customer and project number) to file attributes in the folder

Name	Title	State	Revision
CDN-000000.iam	Clamping unit	Work in Progress	00
CDN-000011.idw	Pistone rod	Work in Progress	-
CDN-000010.idw		Work in Progress	-
CDN-000009.idw	Angle plate	Work in Progress	-
CDN-000008.idw	Clamping head	Work in Progress	-
CDN-000007.idw	Robots	Work in Progress	-
CDN-000006.idw	Plate	Work in Progress	A
CDN-000005.idw		Work in Progress	-
CDN-000003.idw		Work in Progress	-
CDN-000002.idw		Work in Progress	-
CDN-000005.ipn		Work in Progress	00
CDN-000002.ipn		Work in Progress	00

User Defined	
Customer	ACME Corporation
Description	test part
Document Sub Type Name	Drawing Layout
Part Number	CDN-000006
Project	P-0815
Revision text	FIRST RELEASED
Title	Plate

Easy Data Maintenance

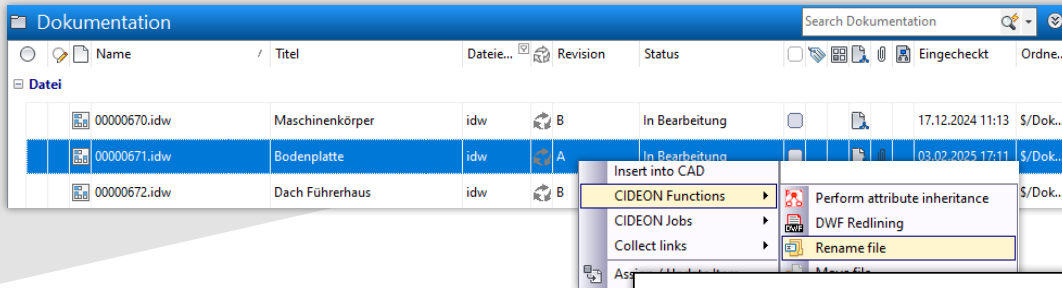
The extension for attribute inheritance allows you to transfer properties from folders to the files contained within them. For example, you only need to maintain a project description at the folder level, and this description will automatically be applied to all files located in that folder.

Of course, attribute inheritance can also be performed directly by the user at the file level through the menu function. A wide range of configuration options ensures that all your requirements are met.

[Back to Overview](#)



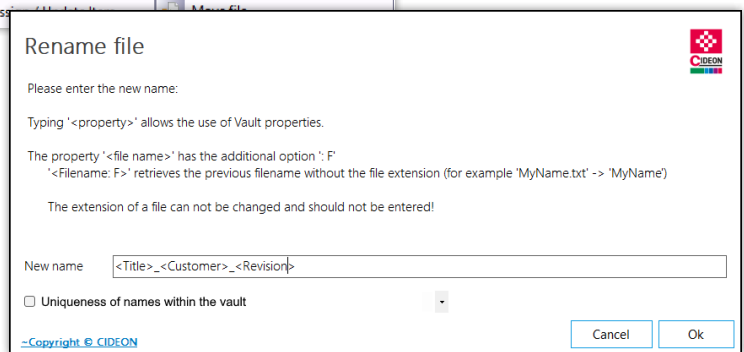
Tools for Better File Handling



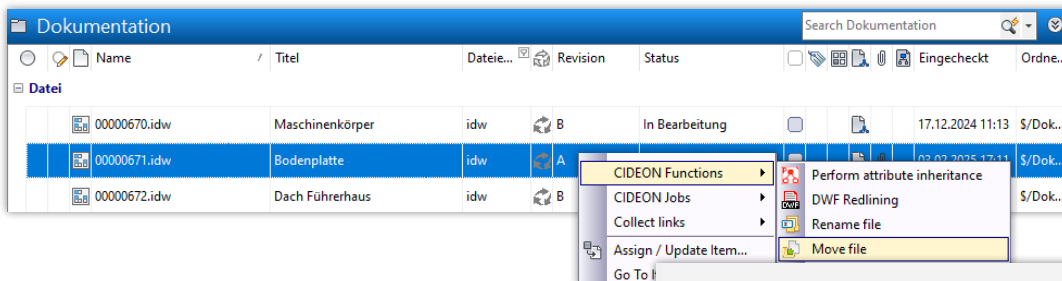
Rename Folders/Files

Do you want to rename files or folders in Vault individually or in bulk? By default, Vault does not offer a "smart" numbering generator, e.g., to incorporate attribute values into the file names.

With this extension, you have the ability to access any properties of a file or folder and integrate this information as part of the new name.

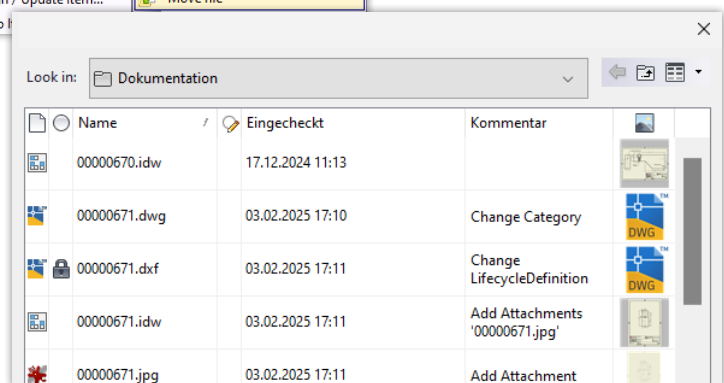


Renaming a file with dialog and naming scheme based on fields



Move Folders/Files

In Vault, you cannot search for files across folders or move them in bulk by default. Our extension enables the efficient movement of files and folders, regardless of where these files and folders are originally located.



Moving of files to a target folder

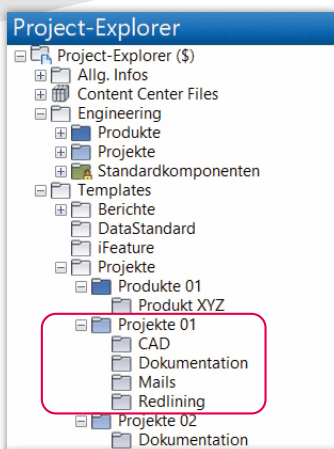
[Back to Overview](#)



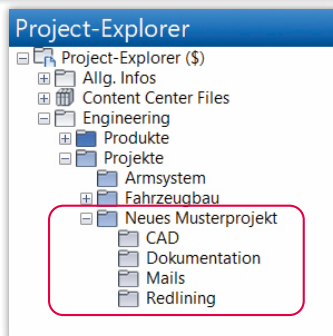
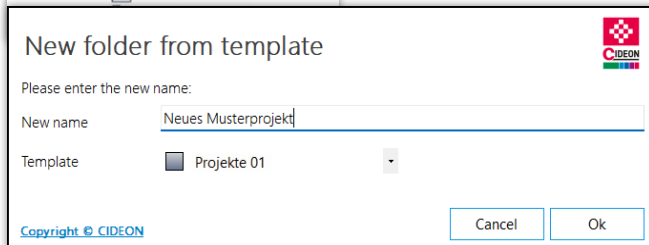
Template Folders

Create Structures

Template Folders is the ideal extension for duplicating standard structures (e.g., custom project structures) and saving a significant amount of time. You define a template structure that will be used as a basis for new projects. This includes category-specific template structures and copies files that are stored in the template folders, optionally including security settings and/or predefined property values.



Easy selection of a template folders structure by category when creating a new project



Cideon Add-Ons: Automation, Optimization, Integration

In addition to developing engineering products, Cideon creates a variety of extensions to implement custom requirements in the CAD and PDM/PLM environments.

The Cideon tools are user-friendly add-ons with extensive functionality that enable optimized processes for documents, parts, bill of materials, and change management. Furthermore, they can be easily and quickly integrated into existing solutions.

Requirements

- Autodesk Vault Professional (the current version and up to three previous versions)
- The automated functions through the Vault job processor require a suitably equipped workstation (Vault Client license, additional application depending on desired functionality).

[Back to Overview](#)

CIDEON Software & Services GmbH & Co. KG
Lochhamer Schlag 11 · D-82166 Gräfelfing
Phone +49 (0) 89 909003-0 · Fax +49 (0) 89 909003-250
info@cideon.com · www.cideon.com